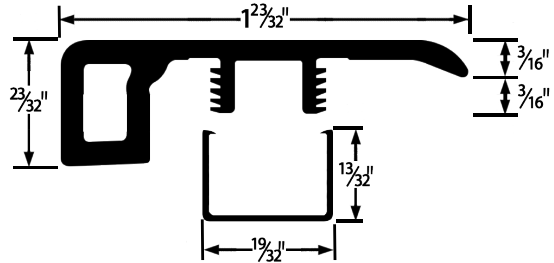
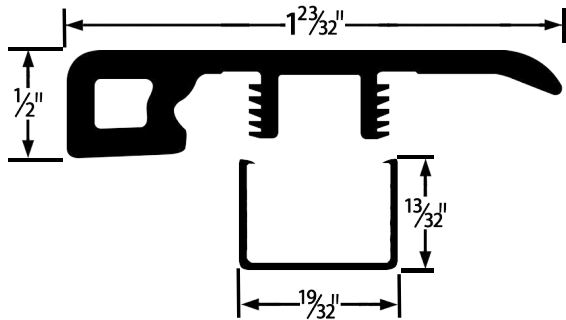


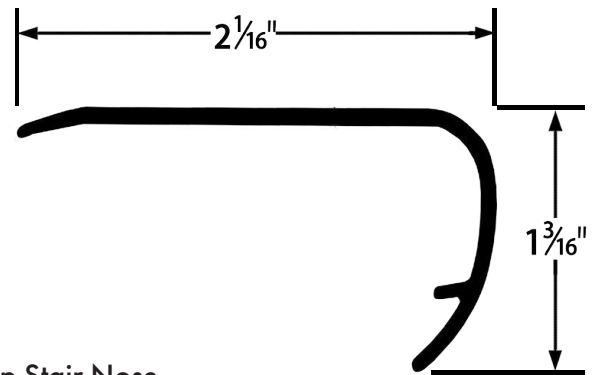
End Cap 3.4-6.5 mm



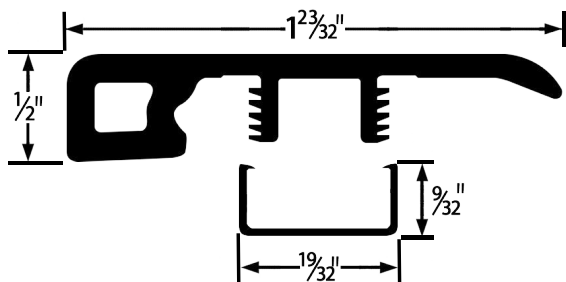
End Cap 14mm



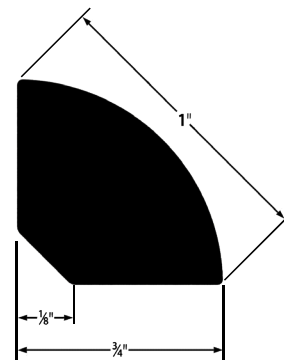
End Cap 12mm



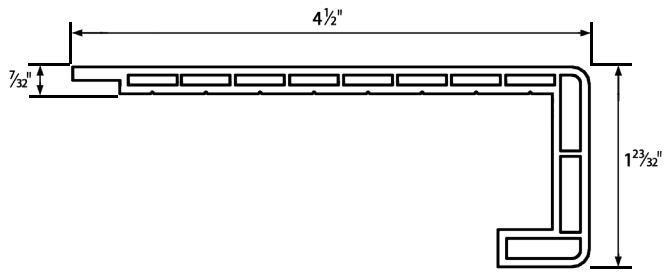
Overlap Stair Nose



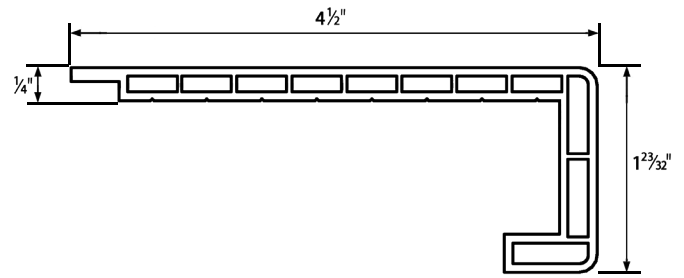
End Cap 7-10mm



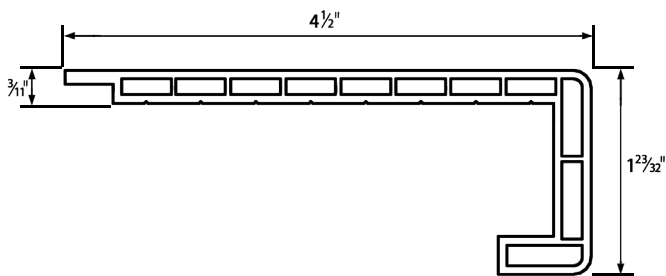
Quarter Round



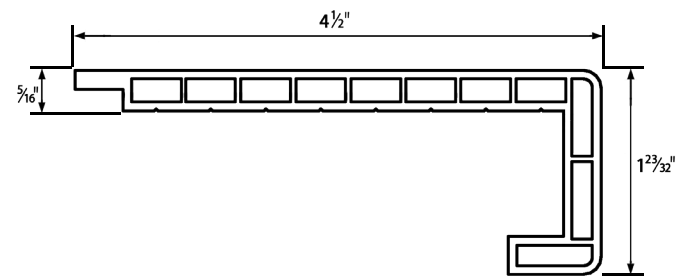
Square Stair Nose 5mm



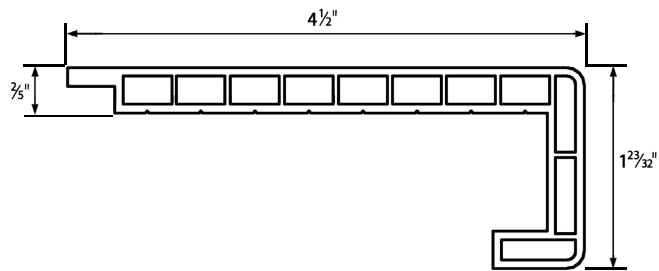
Square Stair Nose 6.5mm



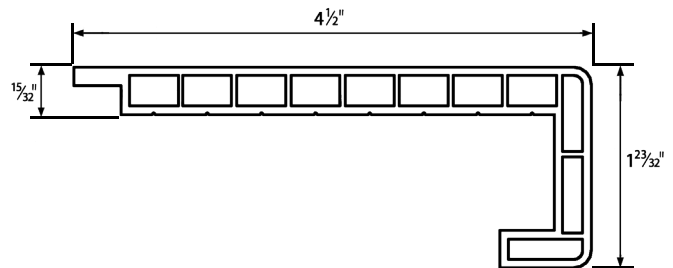
Square Stair Nose 7mm



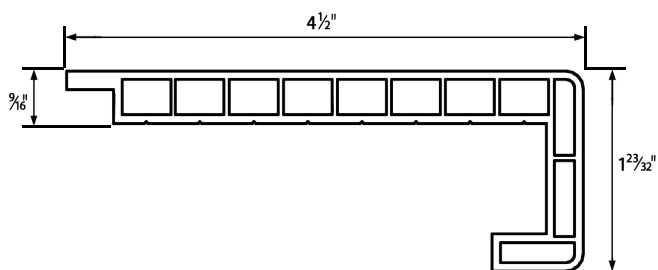
Square Stair Nose 8mm



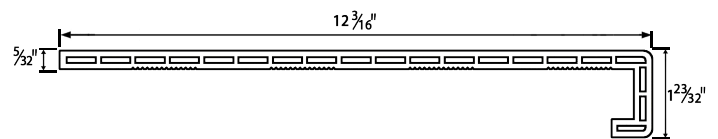
Square Stair Nose 10mm



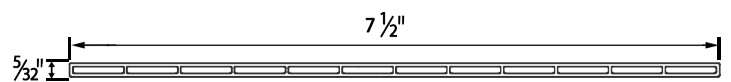
Square Stair Nose 12mm



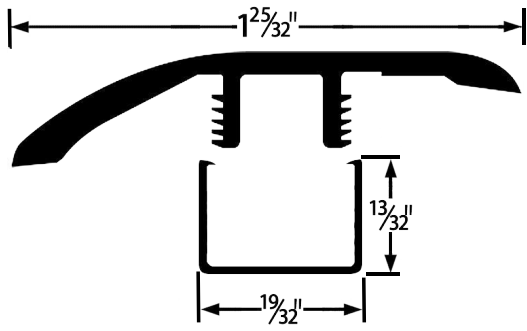
Square Stair Nose 14mm



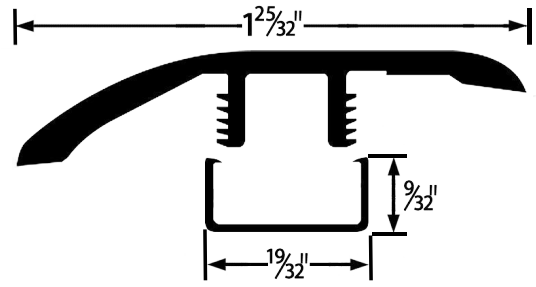
Square Stair Tread



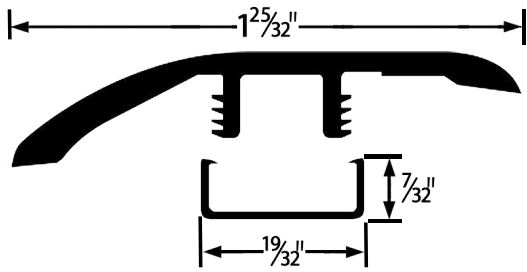
Stair Riser - Two Sided



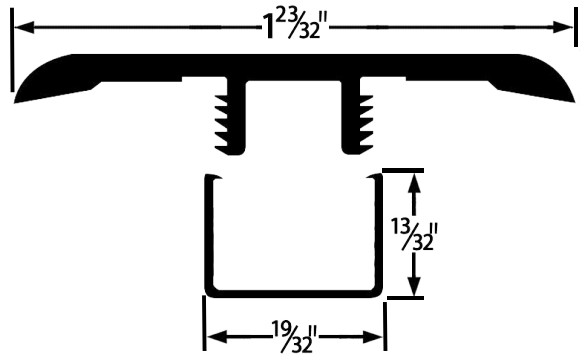
Reducer 12-14mm



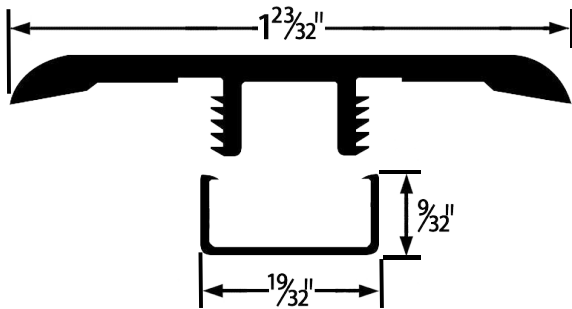
Reducer 7-10mm



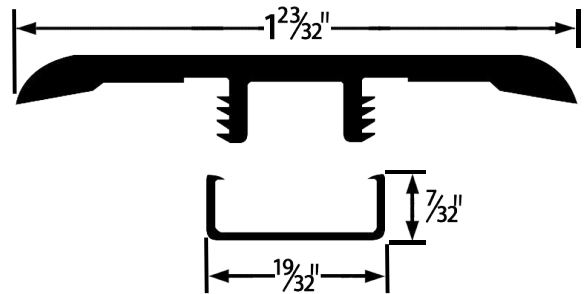
Reducer 3.4-6.5mm



T Mold 12-14mm



T Mold 7-10mm



T Mold 3.4-6.5mm